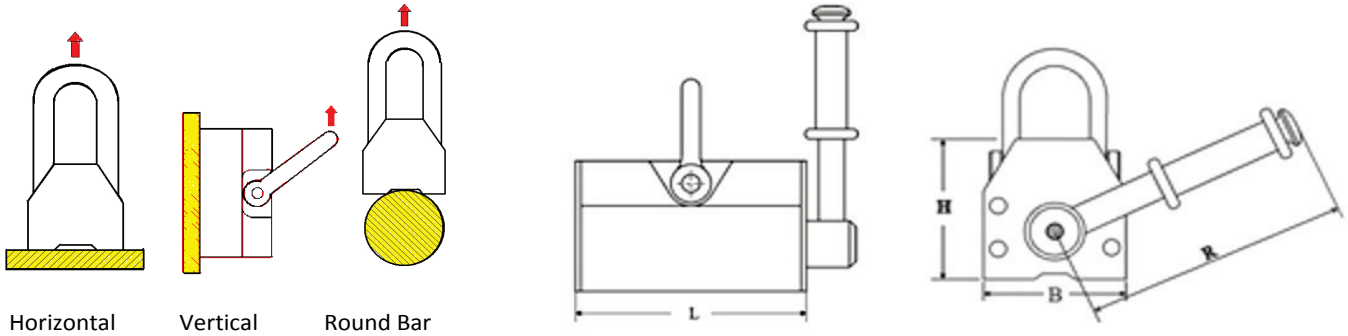
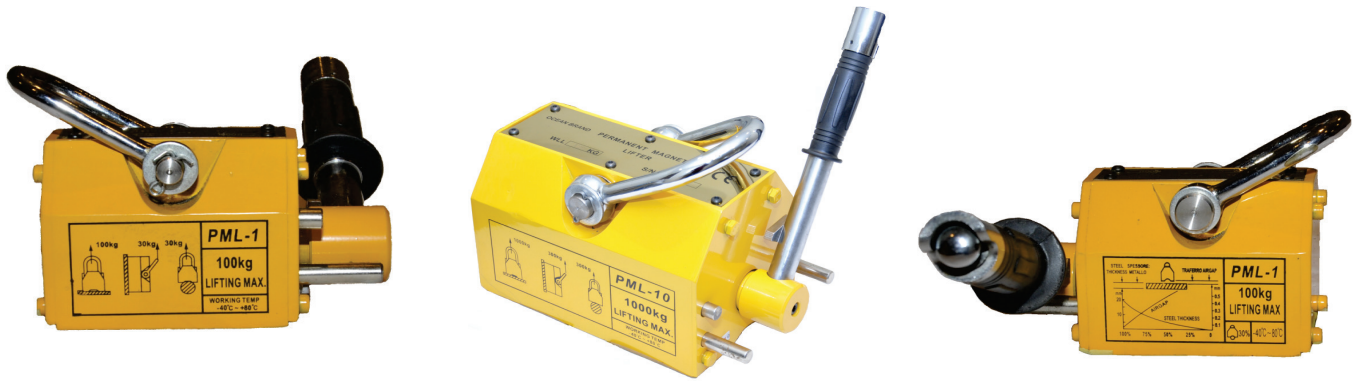


Permanent Lifting Magnet



Horizontal Load Capacity (kg)	Maximum Breakaway Force (Horizontal) kg	Round Bar or Vertical Capacity (kg)	Dimensions (mm)				Weight kg
			L	B	H	R	
100	350	30	92	66	70	145	3
300	1050	100	165	88	96	176	10
600	2100	200	236	118	120	219	23
1000	3500	300	264	172	168	285	54
2000	7000	600	378	223	216	462	130

- Do not use this lifting device above the working load limit for the specific applications shown.
- Operating temperature maximum 80°C.
- Other sizes available upon request.



PLEASE READ WARNING AND APPLICATION INFORMATION BEFORE USING



Industrial Rigging & Supply