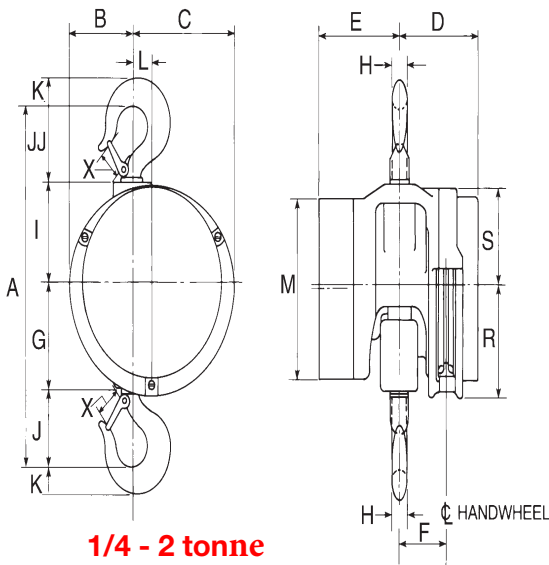
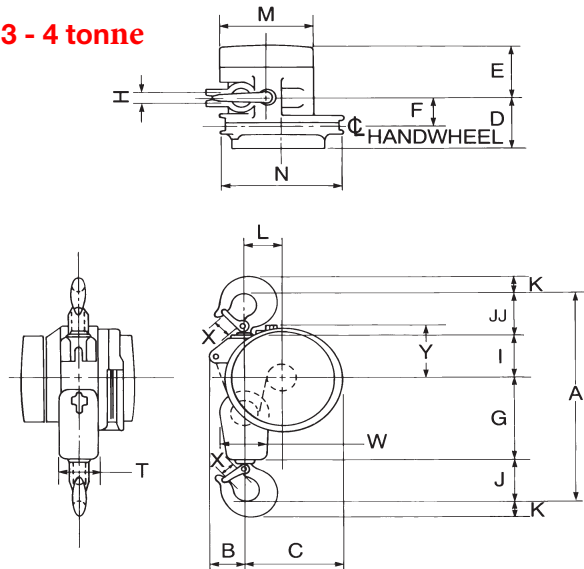


One of the most popular and reliable hoists ever designed.

- Most interchangeability of parts in the industry
- Standard Load Limiter for simple, automatic overload protection
- Enclosed contoured Weston-type automatic brake for positive load control
- High-efficiency spur gearing for greater lift with minimum effort
- Rugged Hoistaloy chain for added strength and durability
- Fully machined, forged liftwheel pockets for easier lifting and smooth free chaining
- High-strength aluminum alloy castings in frame and covers
- Inspected over 75 times to meet or exceed HMI and ASME/ANSI performance and safety standards
- Standard hand chain drop is 2 feet less than lift, (example: 8 foot lift hoist has 6 foot hand chain drop)
- Metric rated
- Made in U.S.A.



3 - 4 tonne



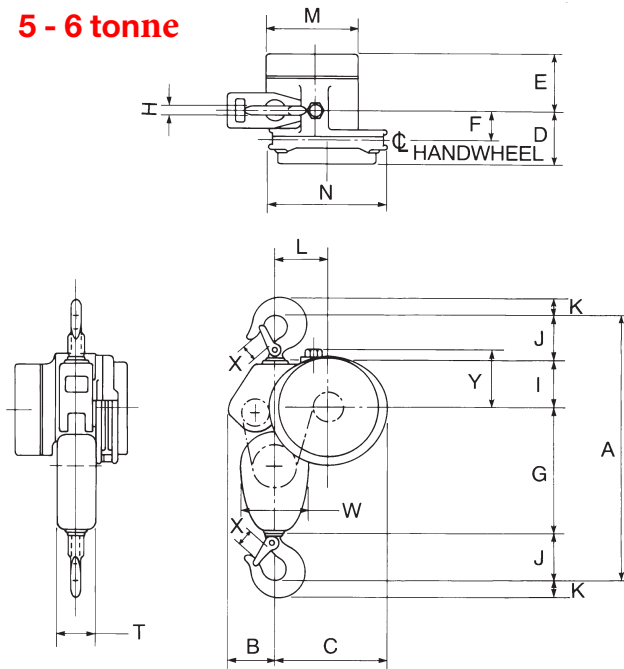
*** ⚠ WARNING**

- Do not exceed working load limit, load rating capacity, or load limit.
- Do not use to lift people or loads over people.
- use only alloy chain for overhead lifting.
- Read and follow all instructions.

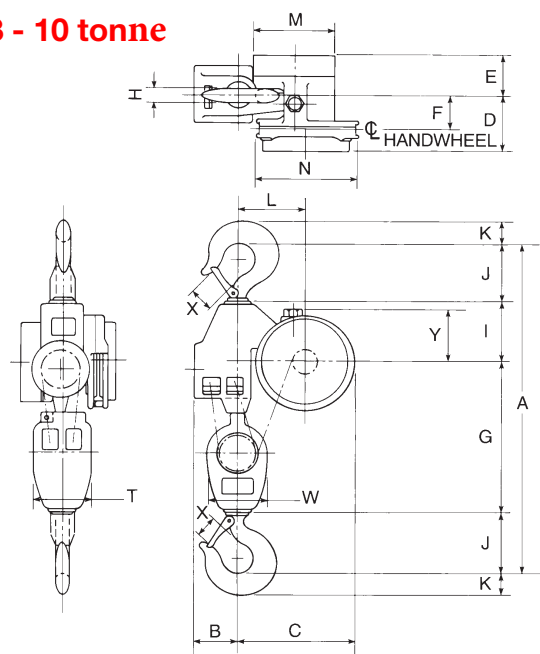


Industrial Rigging & Supply

5 - 6 tonne



8 - 10 tonne



646 Cyclone hand chain hoist-Specifications

Specifications

Rated capacity* (tons)	Product code	Standard lift† (ft.)	Reeving	Minimum distance between hooks (in.)	Chain overhauled to lift load one foot (ft.)	Chain pull to lift full load (lbs.)	Shipping weight (lbs.)
1/4	4621	8	1	12 7/8	22 1/2	23	37
1/2	4622	8	1	12 7/8	22 1/2	46	37
1	4624	8	1	14	30	69	40
1 1/2	4625	8	1	17 9/16	40 1/2	80	65
2	4626	8	1	17 9/16	52	83	64
3	4627	8	2	21 1/2	81	85	96
4	4628	8	2	21 1/2	104	88	96
5	4629	8	3	24 1/4	156	75	128
6	4630	8	3	25 1/4	156	90	132
8	4631	8	4	34 1/2	208	89	235
10	4632	8	5	35 1/2	260	95	249

† Can be supplied with longer lifts

* **WARNING**

Overloading and improper use can result in injury.

To avoid injury:

- Do not exceed working load limit, load rating capacity
- Do not use to lift people or loads over people.
- use only alloy chain for overhead lifting.
- Read and follow all instructions.



Industrial Rigging & Supply

E-mail info@industrialrigging.ca **Website -** www.industrialrigging.ca **Toll Free** (866) 942-4774

CM 646 Cyclone hand chain hoist



Clearance dimensions (in.)

Dimension	Rated capacity*(tons)									
	1/4	1/2	1	1 1/2 & 2	3 & 4	5	6	8	10	
A	12 7/8	12 7/8	14	17 5/16	21 1/2	24 1/4	25 1/4	34 1/2	35 1/2	
B	3 11/16	3 11/16	3 11/16	4 3/16	3 5/16	4 3/16	4 3/16	4 3/4	4 3/4	
C	7 3/16	7 3/16	7 3/16	6 11/16	8 1 5/16	10 5/16	10 5/16	12 3/4	12 3/4	
D	4 1/8	4 1/8	4 1/8	5 1/16	5 1/16	4 7/8	4 7/8	5 13/16	5 13/16	
E	3 1/4	3 1/4	3 1/4	4 13/16	4 13/16	5	5	4 1/16	4 1/16	
F	2 1/16	2 1/16	2 1/16	3 1/8	3	2 15/16	2 15/16	3 3/4	3 3/4	
G	3 7/8	3 7/8	3 3/4	5 3/16	8 1/4	11 13/16	11 13/16	17 3/16	17 3/16	
H	1 1/16	1 1/16	1 3/16	1 1/8	1 1/4	1 1/4	1 3/8	1 11/16	1 13/16	
I	3 3/4	3 3/4	3 3/4	4 13/16	4 1/4	4 3/16	4 3/16	6 1/16	6 1/16	
J	2 5/8	2 5/8	2 15/16	3 5/8	4 1/8	4 1/8	4 5/8	5 5/8	6 1/8	
JJ	2 5/8	2 5/8	3 9/16	3 11/16	4 7/8	—	—	—	—	
K	1 5/16	1 5/16	1 1/8	1 1/2	1 11/16	1 11/16	1 7/8	2 1/4	2 9/16	
L	1 3/4	1 3/4	1 3/4	1 1/4	3 1/2	4 7/8	4 7/8	7 5/16	7 5/16	
M	7 1/16	7 1/16	7 1/16	8 5/8	8 5/8	8 5/8	8 5/8	8 5/8	8 5/8	
N	—	—	—	—	10 7/8	10 7/8	10 7/8	10 7/8	10 7/8	
R	5 7/16	5 7/16	5 7/16	5 7/16	—	—	—	—	—	
S	4 11/16	4 11/16	4 11/16	4 11/16	—	—	—	—	—	
T	—	—	—	—	3 7/8	4	4	6 3/8	6 3/8	
W	—	—	—	—	4 1/2	6 1/4	6 1/4	6 7/16	6 7/16	
X	1 1/32	1 1/32	1 1/8	1 5/16	1 5/8	1 5/8	1 3/4	2 1/16	2 5/16	
Y	—	—	—	—	5 1/8	5 7/8	5 7/8	5 9/16	5 9/16	

* **WARNING**

Overloading and improper use can result in injury.

To avoid injury:

- Do not exceed working load limit, load rating capacity
- Do not use to lift people or loads over people.
- use only alloy chain for overhead lifting.
- Read and follow all instructions.



Industrial Rigging & Supply

