

Hurricane 360°

The New CM Hurricane unleashes a full circle of flexibility for lifting and pulling.

- **Standard Load Limiter** - For simple, automatic overload protection.
- **Improved Braking Power** - With its braking system, the CM Hurricane is exceptionally quiet, and improves operational safety and serviceability.
- **Powder Coated Finish** - For corrosion protection.
- **Heat Treated Steel Gearing** - All internal gears and pinions are heat treated steel for high strength and long life.
- **Chain Guide and Stripper** - Assures load chain alignment.
- **Precision 4-Pocket Liftwheel** - Fully machined for better chain fit and reduced wear allowing for accurate movement of the load chain.
- **Hardened Steel Chain** - Alloy steel load chain assures high strength and long wear life.
- **Minimal Maintenance** - Easily disassembled, requiring no special tools.
- **Meets ASME B30.16** - And European CE Standard
- **5-Year Warranty** - Against defects in materials and workmanship.



Sealed Ball Bearings and Sliding Bushings



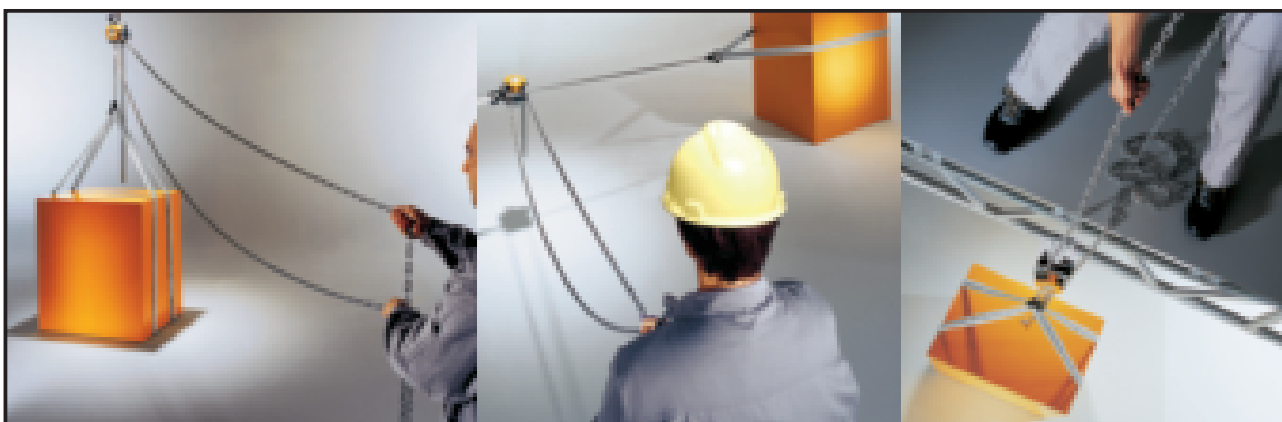
New Patented Brake System

* **WARNING**

Overloading and improper use can result in injury.

To avoid injury:

- Do not exceed working load limit, load rating capacity
- Do not use to lift people or loads over people.
- use only alloy chain for overhead lifting.
- Read and follow all instructions.



Standing away from load

Pulling application

Used inverted for easy rigging



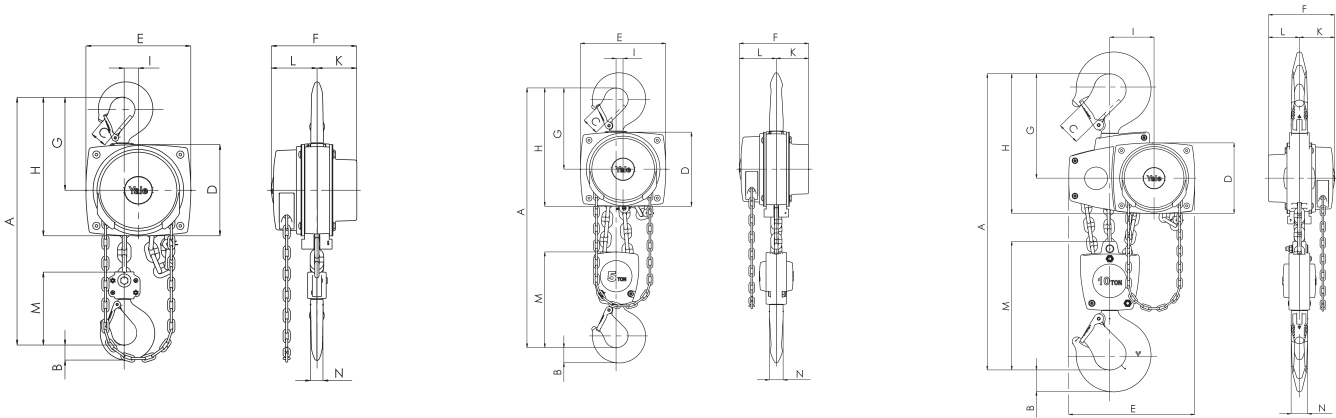
Industrial Rigging & Supply

CM Series 360 Hurricane Chain Hoist



CM Hurricane—Specifications

Product code	Rated capacity		Standard lift		Hand chain pull to lift rated load		Hand chain overhaul to lift load 1ft.		Number of chain falls	Approximate shipping weight	
	(tonnes)	(kg)	(ft.)	(m)	(lbs.)	(kg)	(ft.)	(m)		(lbs.)	(kg)
5623	1/2 t	500	8ft.	2.4	44	20	30	9.1	1	18.5	9
5624	1/2 t	500	12ft.	2.4	44	20	30	9.1	1	23.0	10
5625	1/2 t	500	20ft.	6.0	44	20	30	9.1	1	29.3	11
5626	1 t	1000	8ft.	2.4	54	24	49	14.9	1	26.5	13
5627	1 t	1000	12ft.	2.4	54	24	49	14.9	1	28.7	14
5628	1 t	1000	20ft.	6.0	54	24	49	14.9	1	39.7	16
5629	2 t	2000	8ft.	2.4	74	34	71	21.6	1	42.1	20
5630	2 t	2000	12ft.	3.6	74	34	71	21.6	1	47.8	22
5631	2 t	2000	20ft.	6.0	74	34	71	21.6	1	60.4	25
5635	3 t	3000	8ft.	2.4	92	42	87	26.0	1	67.9	28
5636	3 t	3000	12ft.	3.6	92	42	87	26.0	1	76.0	31
5637	3 t	3000	20ft.	6.0	92	42	87	26.0	1	91.9	36
5639	5 t	5000	8ft.	2.4	76	34	174	53.0	2	87.7	38
5640	5 t	5000	12ft.	3.6	76	34	174	53.0	2	95.8	43
5641	5 t	5000	20ft.	6.0	76	34	174	53.0	2	111.7	54
5643	10 t	10000	8ft.	2.4	102	46	261	79.3	3	148.5	71
5644	10 t	10000	12ft.	3.6	102	46	261	79.3	3	166.0	79
5645	10 t	10000	20ft.	6.0	102	46	261	79.3	3	202.7	95



Dimensions - (in.) (mm.)

	A		B		C		D		E		F		G		H		I		K		L		M		N	
	(in.)	(mm.)	(in.)	(mm.)	(in.)	(mm.)	(in.)	(mm.)	(in.)	(mm.)	(in.)	(mm.)	(in.)	(mm.)	(in.)	(mm.)	(in.)	(mm.)	(in.)	(mm.)	(in.)	(mm.)	(in.)	(mm.)	(in.)	(mm.)
1/2 t 500 kg	11 13/16	300.0	11/16	17.0	15/16	24.0	5 1/4	133.0	5 13/16	148.0	6 1/4	159.3	5 1/2	139.0	8 1/16	205.5	15/16	24.2	2 3/8	60.5	3 7/8	98.8	4 5/16	110.0	7/16	11.0
1 t 1000 kg	14	355.0	7/8	22.0	1 1/8	29.0	6 1/8	156.0	6 7/8	175.0	6 15/16	176.3	6 7/16	164.0	9 1/2	242.0	15/16	23.6	2 3/4	70.0	4 3/16	106.3	4 5/16	125.0	9/16	15.0
2 t 2000 kg	15 9/16	395.0	1 3/16	30.0	1 3/8	35.0	7 3/16	182.0	8	203.0	8	202.5	7 9/16	192.0	11 1/4	283.0	1 1/4	31.4	3 1/4	82.5	4 3/4	120.0	6 1/8	156.0	13/16	21.0
3 t 3000 kg	20 1/2	520.0	1 1/2	38.0	1 9/16	40.0	8 11/16	220.0	9 13/16	250.0	8 13/16	232.2	8 7/8	225.0	13 3/16	335.5	15/16	33.5	3 3/4	95.0	5 1/16	128.2	7	178.0	1	26.0
5 t 5000 kg	25 3/16	640.0	1 3/4	45.0	1 7/8	47.0	8 11/16	220.0	9 13/16	250.0	8 13/16	232.2	9 1/2	241.5	13 3/16	351.5	13/16	20.5	3 3/4	95.0	5 1/16	128.2	11 13/16	284.5	1 3/16	30.0
10 t 10000 kg	32 1/2	825.0	2 11/16	67.5	2 11/16	68.0	8 11/16	220.0	9 13/16	250.0	8 13/16	232.2	12 13/16	325.5	17 1/8	435.5	5 3/8	136.0	3 3/4	95.0	5 1/16	128.2	15 13/16	401.0	1 9/16	40.0



Industrial Rigging & Supply

E-mail info@industrialrigging.ca Website - www.industrialrigging.ca Toll Free (866) 942-4774