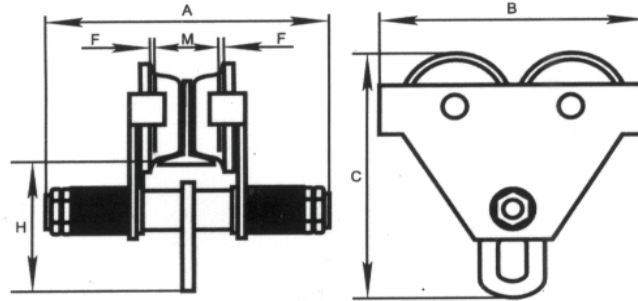


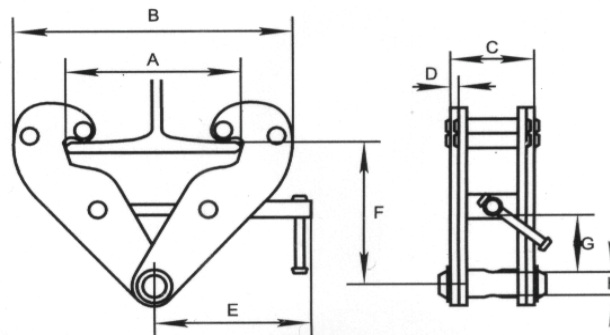
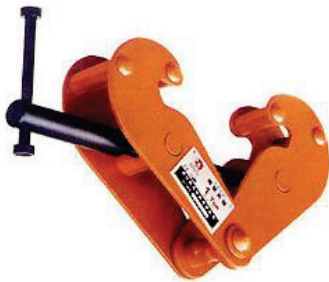
Beam Trolley and Beam Clamp



For use on 'I' Beams

Beam Trolley 619 rated in Metric Tonne = Tonne of 1000kgs. (or 2200 pounds or 9.81 kN)

Capacity	1-Beam Width mm	N.W./Kg	A mm	B mm	C mm	H mm	Part Number
0.5 te	64-140	7	230	212	198.5	113	6-0.5TT
1 te	64-140	12	254	255	231.5	128	6-1TT
1.5 te	76-165	18	276	277	265	145	6-1.5TT
2 te	76-165	22	294	302	278	152	6-2TT
3 te	76-203	30	344	344	338	186	6-3TT
5 te	88-203	55	360	378	393	219	6-5TT
10 te	125-203	93	403	455	490	275.5	6-10TT



Beam Clamps

For use on 'I' Beams

Beam Clamp rated in Metric Tonne = Tonnes of 1000kgs. (or 2200 pounds or 9.81 kN)

WLL Tonne	Adj. Beam Width mm	N.W. / kg	A Max mm	B		C mm	D mm	E mm	F		G mm	H mm	Part Number
				Min mm	Max mm				Min mm	Max mm			
1	75-220	4	260	180	360	64	5	215	102	155	25	22	6-1TBC
2	75-220	5	260	180	360	74	6	215	102	155	25	22	6-2TBC
3	80-320	9	354	235	490	103	8	260	140	225	45	24	6-3TBC
5	80-320	11	354	235	490	110	10	260	140	225	45	28	6-5TBC
10	90-320	15	365	320	505	120	12	280	170	235	50	40	6-10TBC

⚠ WARNING

OVERLOADING AND IMPROPER USE CAN RESULT IN INJURY

To avoid injury:

- DO NOT exceed working load limit, load rating or capacity
- DO NOT use to lift people, or loads over people
- Use only alloy chain and attachments for overhead lifting



Industrial Rigging & Supply

E-mail - info@industrialrigging.ca Website - www.industrialrigging.ca Toll Free (866) 942-4774