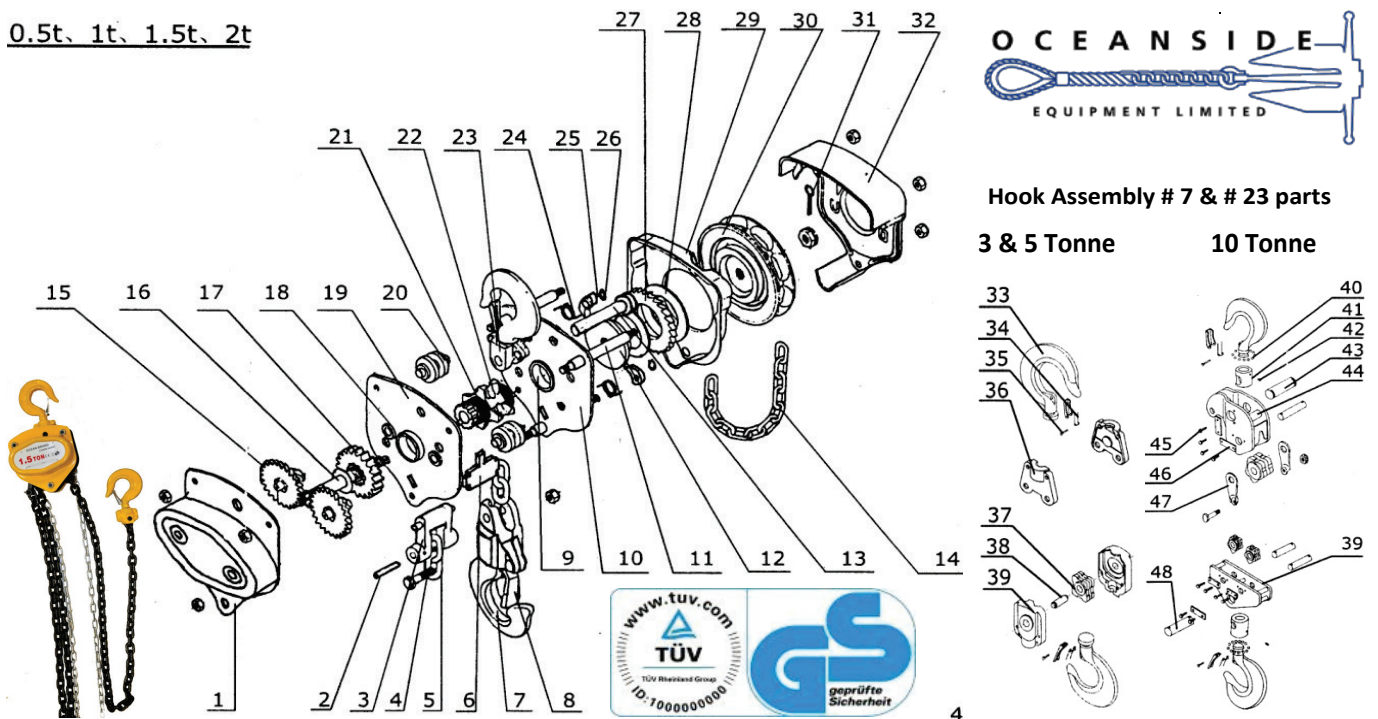


Chain Hoist Parts Breakdown

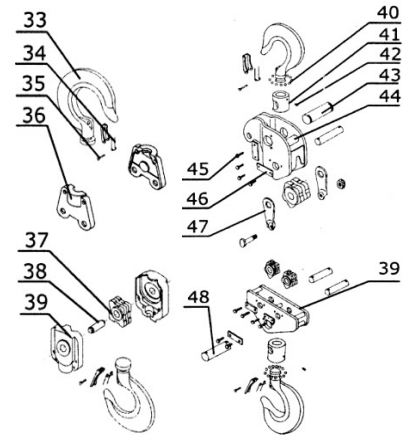
0.5t, 1t, 1.5t, 2t



Hook Assembly # 7 & # 23 parts

3 & 5 Tonne

10 Tonne



#	Description	#	Description	#	Description	#	Description
1	Bent plate	13	Hook pin	25	Pawl	37	Move wheel
2	End anchor pin	14	Hand chain	26	Spring ring	38	Move wheel pin
3	End anchor	15	Disk gear	27	Ratchet disk	39	Bottom hook frame
4	Chain pin	16	Driving shaft	28	Friction plate	40	Row
5	Load chain (sold/ft)	17	Splined gear	29	Brake cover	41	Hook frame bar
6	Stripper	18	Steel bushing	30	Hand wheel	42	Lock screw
7	Bottom hook as.	19	Right side plate	31	Cotter pin	43	Top hook pin
8	Safe clip	20	Guide roller	32	Hand wheel cover	44	Bunton
9	Bearing race	21	Roller	33	Hook	45	Screw
10	Left side plate	22	Load sheave	34	Spring	46	Stripper
11	Stay	23	Top hook assembly	35	Rivet	47	Sling plate
12	Brake seat	24	Double spring	36	Top hook frame	48	Bottom hook pin

Available Spare Parts for Chain Hoist Block 619

Top and Bottom hook assembly sold as complete kit only

#	Description	1/2 tonne	1 tonne	1-1/2 tonne	2 tonne	3 tonne	5 tonne	10 tonne
2	End anchor pin	6-0.5TCBEAP	6-1TCBEAP	6-1.5TCBEAP	6-2TCBEAP	6-3TCBEAP	6-5TCBEAP	6-5TCBEAP
4	Chain pin	6-0.5TCBCP	6-1TCBCP	6-1.5TCBCP	6-2TCBCP	6-3TCBCP	6-5TCBCP	6-5TCBCP
5	Load chain (\$/ft)	6-0.5-1TCBCH			6-1.5T-3TCBCH		6-5T-10TCBCH	
7	Bottom hook as.	6-0.5TCBBHA	6-1TCBBHA	6-1.5TCBBHA	6-2TCBBHA	6-3TCBBHA	6-5TCBBHA	6-10TCBBHA
8	Safe clip	6-0.5TCBSC	6-1TCBSC	6-1.5TCBSC	6-2TCBSC	6-3TCBSC	6-5TCBSC	6-10TCBSC
13	Hook pin	6-0.5TCBHP	6-1TCBHP	6-1.5TCBHP	6-2TCBHP	6-3TCBHP	6-5TCBHP	6-5TCBHP
14	Hand chain	6-HAND CHAIN						
22	Load sheave	6-0.5&1TLS			6-1.5&2TLS		6-3&5TLS	
23	Top hook assem.	6-0.5TCBTHA	6-1TCBTHA	6-1.5TCBTHA	6-2TCBTHA	6-3TCBTHA	6-5TCBTHA	6-10TCBTHA
24	Double spring	6-0.5TCBDS	6-1TCBDS	6-1.5TCBDS	6-2TCBDS	6-3TCBDS	6-5TCBDS	6-5TCBDS
25	Pawl	6-0.5TCBP	6-1TCBP	6-1.5TCBP	6-2TCBP	6-3TCBP	6-5TCBP	6-5TCBP
26	Spring ring	6-0.5TCBSR	6-1TCBSR	6-1.5TCBSR	6-2TCBSR	6-3TCBSR	6-5TCBSR	6-5TCBSR
28	Friction plate	6-0.5TCBFP	6-1TCBFP	6-1.5TCBFP	6-2TCBFP	6-3TCBFP	6-5TCBFP	6-5TCBFP
31	Cotter pin	6-0.5TCBCP31	6-1TCBCP31	6-1.5TCBCP31	6-2TCBCP31	6-3TCBCP31	6-5TCBCP31	6-5TCBCP31

READ WARNING AND APPLICATION INFORMATION BEFORE USING



Industrial Rigging & Supply

E-mail info@industrialrigging.ca Website - www.industrialrigging.ca Toll Free (866) 942-4774