

Insulated Swivels c/w Half Link & Coupling Self Locking Hook

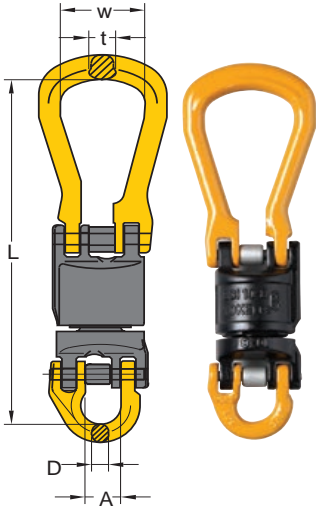


Size	Working Load Limit tonnes*	For Grade 80 Chain mm	Dimensions (mm)					N.W. kg
			A	D	L	T		
9/32"	2.0	7, 8	18	9	24	239	20	1.5
3/8"	3.15	10	25	11	30	282	26	2.8
1/2"	5.3	13	30	16	39	371	30	5.7
5/8"	8.0	16	36	19	49	435	36	11.0
3/4"	12.5	18, 20	42	22	62	482	48	15.9

1000 Volts Resistance

★ Design factor 4:1 proof tested and certified Tested acc. to EN 1677

Insulated Swivels c/w Open Master Link & Half Link

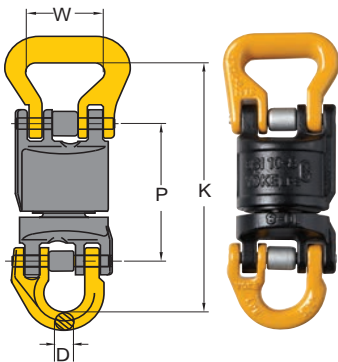


Size	Working Load Limit tonnes*	For Grade 80 Chain mm	Dimensions(mm)					N.W. kg
			L	A	D	W	t	
9/32"	2.0	7, 8	202	18	9	50	15	1.6
3/8"	3.15	10	255	25	11	65	19	2.1
1/2"	5.3	13	313	30	16	72	23	4.0
5/8"	8.0	16	368	36	19	80	25	6.7
3/4"	12.5	18, 20	427	42	22	104	31	12.0

1000 Volts Resistance

★ Design factor 4:1 proof tested and certified Tested acc. to EN 1677

Insulated Swivels c/w Half Link & Web Sling Connector



Item No.	Working Load Limit tonnes*	For Grade 80 Chain mm	Dimensions(mm)				N.W. kg
			D	K	P	W	
9/32"-5/16"	2.0	7, 8	9	136	76	40	4.4
3/8"	3.15	10	11	170	94	47	4.4
1/2"	5.3	13	16	219	123	53	3.5
5/8"	8.0	16	19	256	142	67	8.7
3/4"	12.5	18, 20	22	295	164	80	10.1

1000 Volts Resistance

★ Design factor 4:1 proof tested and certified Tested acc. to EN 1677



Industrial Rigging & Supply